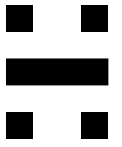


# Huddly

## L1



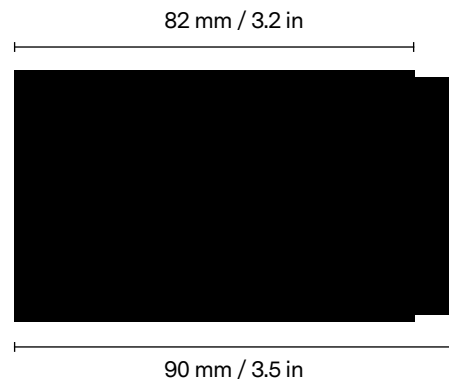
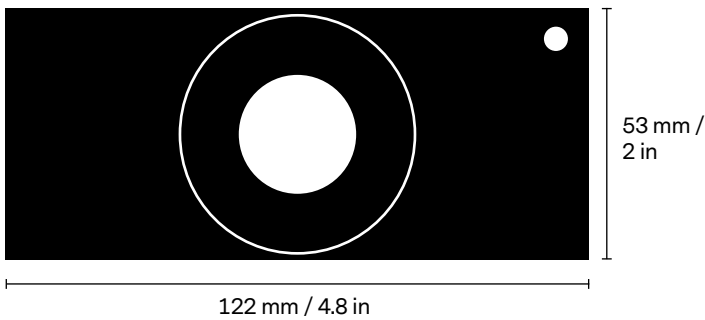
**For large and medium rooms.**



# Huddly L1

## Product Information

Weight: 0.6 kg / 1.3 lbs



## Specifications

### Image

- 6K image sensor
- 20.30 Megapixels 1" CMOS Sensor
- 1080p Full HD @ 30 fps
- 720p HD @ 30fps
- Up to 5x digital zoom
- 16:9 aspect ratio output
- 180° image auto-flip

### Optics

- Wide-angle glass optics
- Horizontal field of view 92°
- Vertical field of view 65°
- Diagonal field of view 103°
- f/2.9 aperture

### System & Hardware Requirements

- Windows 10
- Huddly USB to PoE Adapter (included)

### Connectivity

- Connector: RJ45
- Cable: Cat 5e/6/7
- USB 3.0 port (via USB to PoE Adapter)

### Hardware

- High-performance VPU with neural compute engine
- Aluminum body
- Camera tripod mount

### Color

Matte Black

### Wall & Shelf Mount (Included)

- Made for placement on wall or shelf
- Weight of Mount: 120 g/ 0.2 lbs

### Packaging Dimensions

L: 274 mm x W: 184 mm x H: 93 mm

# Huddly L1

## Product Information

### Features

#### Genius Framing

The camera detects the people in its entire field of view and intelligently frames them for the best experience.

#### Digital Pan/Tilt/Zoom

The camera has no moving parts, allowing Pan, Tilt, and Zoom functions to be adjusted smoothly, silently and instantly.

#### Software-Upgradable

The camera gets even smarter over time with regular software enhancements and new intelligent features.

#### Power over Ethernet

The camera receives power and transmits data through Power over Ethernet. Installation is reliable and flexible in regard to cable length.

#### Speaker Framing

Using the camera's built-in AI director, Speaker Framing alternates between speaker shots, listening shots, and overview shots.

#### Image Enhancement

The camera automatically corrects white balance, color, and optical aberration. It reduces image noise through bias compensating spatio-temporal filtering with wide-area chroma filtering and adapts to poor lighting conditions with Dynamic Light Optimization.

#### Real-Time Dewarping

The camera's wide-angle image is dewarped and perspective corrected in real time, rendering a natural, true-to-life view.

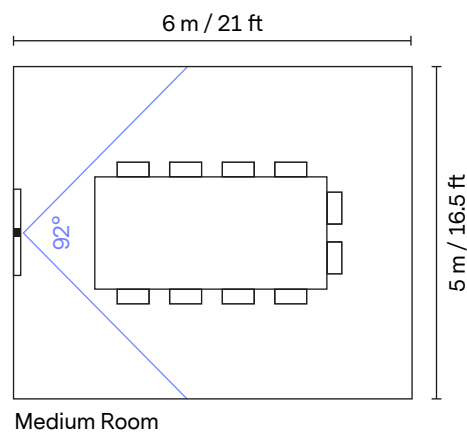
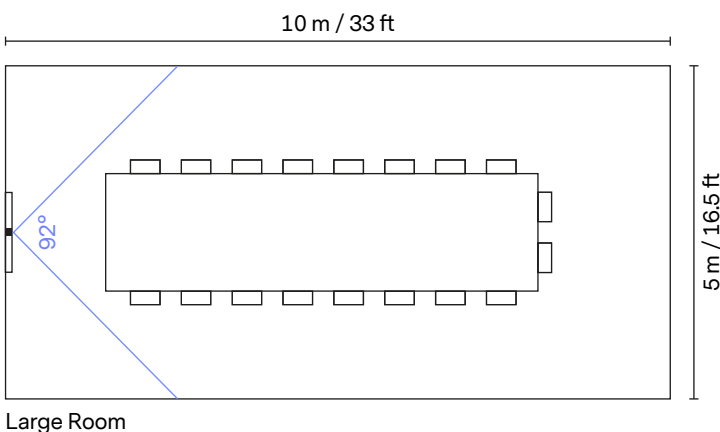
#### Portrait Lighting

The camera uses AI to understand the lighting conditions in the image. It automatically adjusts exposure to ensure that faces are well-lit and facial expressions are clearly visible.

#### InSights Analytics API

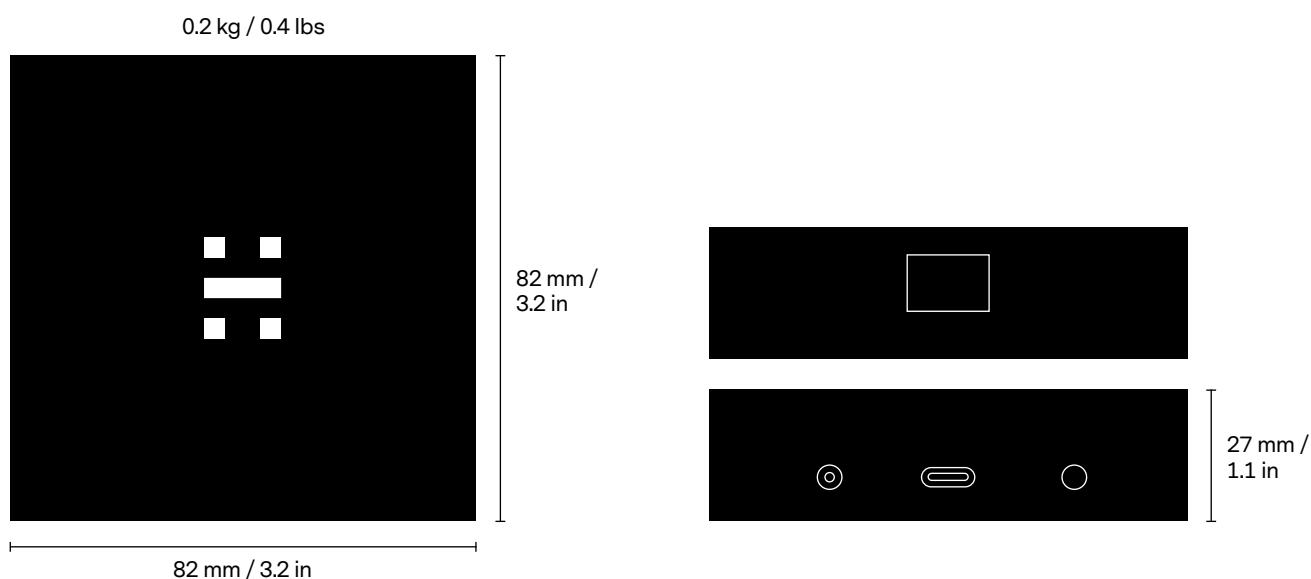
The camera can detect and count the people within its entire field of view, with high-quality analytics data accessible via the Huddly InSights API.

### Room Examples



# Huddly

## USB to PoE Adapter



**The USB to PoE Adapter lets you connect Huddly L1 to your meeting room computer.**

### Connectivity

- USB C port to host computer
- SuperSpeed USB 3
- RJ45 gigabit Ethernet port to camera
- DC power connector

### Power Requirements

Requires external 5V 3A power, supplied either via USB C or the included external AC/DC 5V 4A power adapter.

### Hardware Specifications

- Aluminum body
- Built-in magnet for easy mounting to metal
- Wall mount plate (included)

### Color

Matte Black

### System & Hardware Requirements

Windows 10

# Huddly

## USB to PoE Adapter

### Connectivity

You can easily install Huddly L1 in any room with a single Ethernet cable of up to 100 meters. The USB to PoE Adapter comes with both USB C and USB A cables for connecting to meeting room devices.

Depending on your device, the USB to PoE Adapter may also require a power adapter (included).

